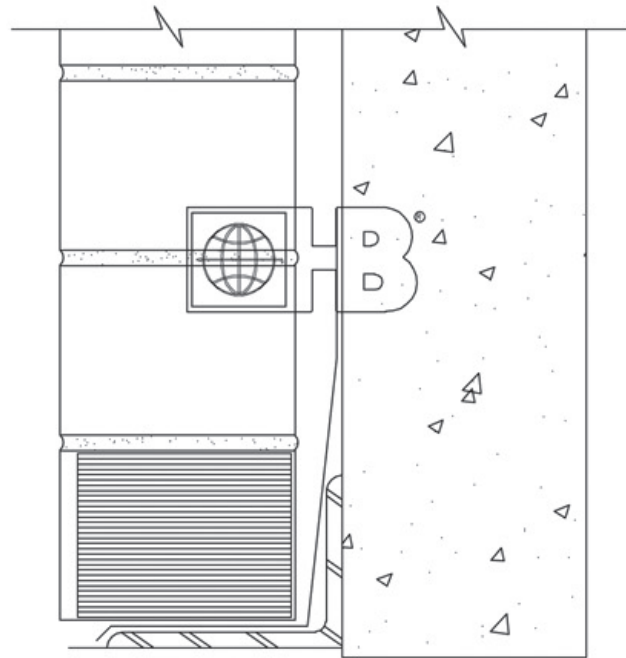
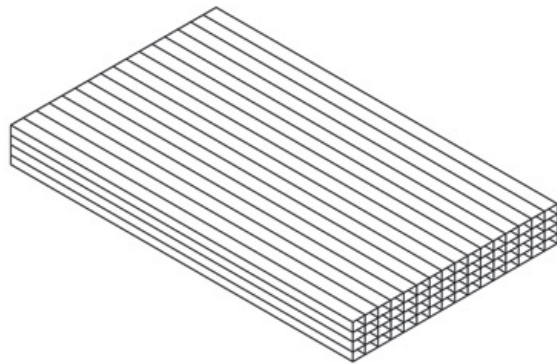




HOHMANN & BARNARD, INC.
A MiTek - BERKSHIRE HATHAWAY COMPANY

Weep Holes/Vents

QV - Quadro-Vent™



DRAWINGS FOR ILLUSTRATIVE PURPOSES ONLY

Quadro-Vent's honeycomb design allows passage of moisture from cavity to the building exterior while restricting ingress of insects and other debris.

- Allows passage of moisture up to its 2 ½" height, important in the event of mortar droppings at bottom of cavity.
- Is suitable for top of wall venting.
- Polypropylene tested in conformance with ASTM D2240, ASTM D790B, ASTM D638, and ASTM D1238B.

Color:

- | | | | |
|---------------------------------|--------------------------------|--------------------------------|--------------------------------|
| <input type="checkbox"/> Gray | <input type="checkbox"/> Clear | <input type="checkbox"/> Buff | <input type="checkbox"/> Black |
| <input type="checkbox"/> Almond | <input type="checkbox"/> Cocoa | <input type="checkbox"/> White | |

Size:

- Standard (3/8" thick x 3 ⅝" wide x 2 ½" tall)
- Jumbo (3/8" thick x 3 ⅝" wide x 3 ½" tall)
- Custom 3/8" x _____ x _____

HOHMANN & BARNARD, Inc.
30 Rasons Court | Hauppauge, NY 11788
CORPORATE HEADQUARTERS
T: 800.645.0616 F: 631.234.0683
www.h-b.com

Branch/Subsidiary Locations:
ALABAMA - ILLINOIS - MARYLAND
NEW YORK - PENNSYLVANIA - TEXAS
CANADA

© HOHMANN & BARNARD, INC. - 2012